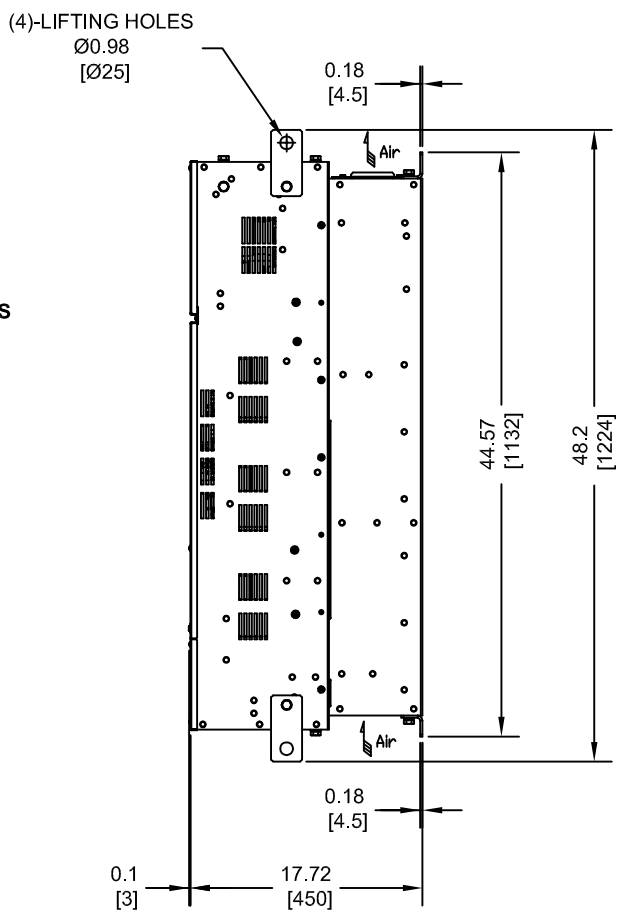
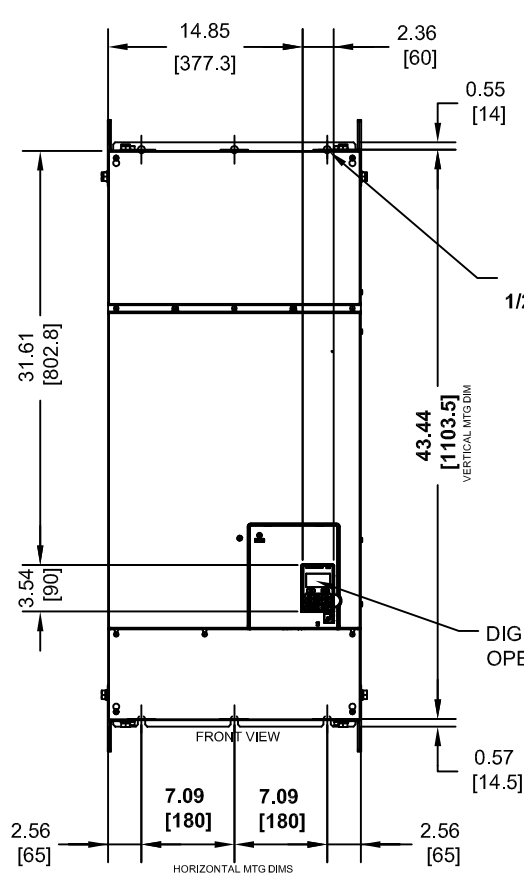
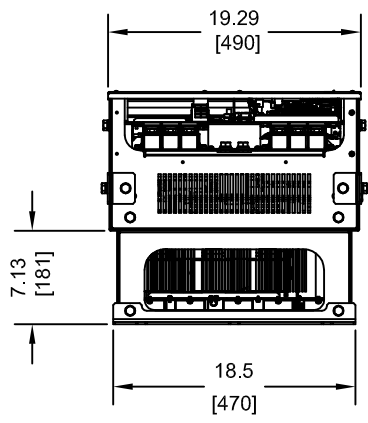


LIFTING NOTES:
 1. SPREADER BAR REQUIRED TO AVOID DAMAGE DURING LIFTING.
 2. FOUR (4) LIFTING BRACKETS NEEDED ON TOP SIDE FOR VERTICAL LIFTING. REFER TO MANUAL FOR DETAILS.



(6)-MOUNTING HOLES FOR 1/2" [M12] SCREWS

DIGITAL OPERATOR



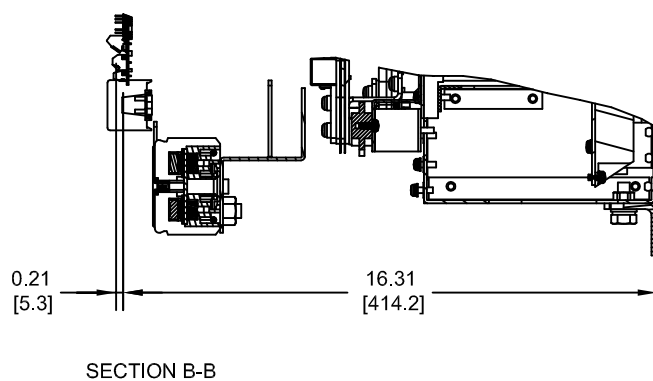
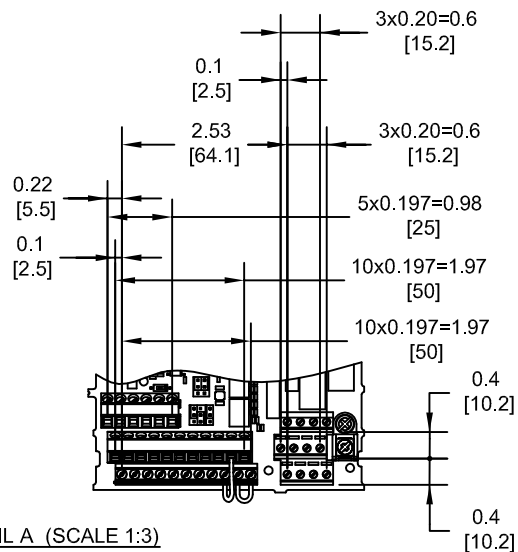
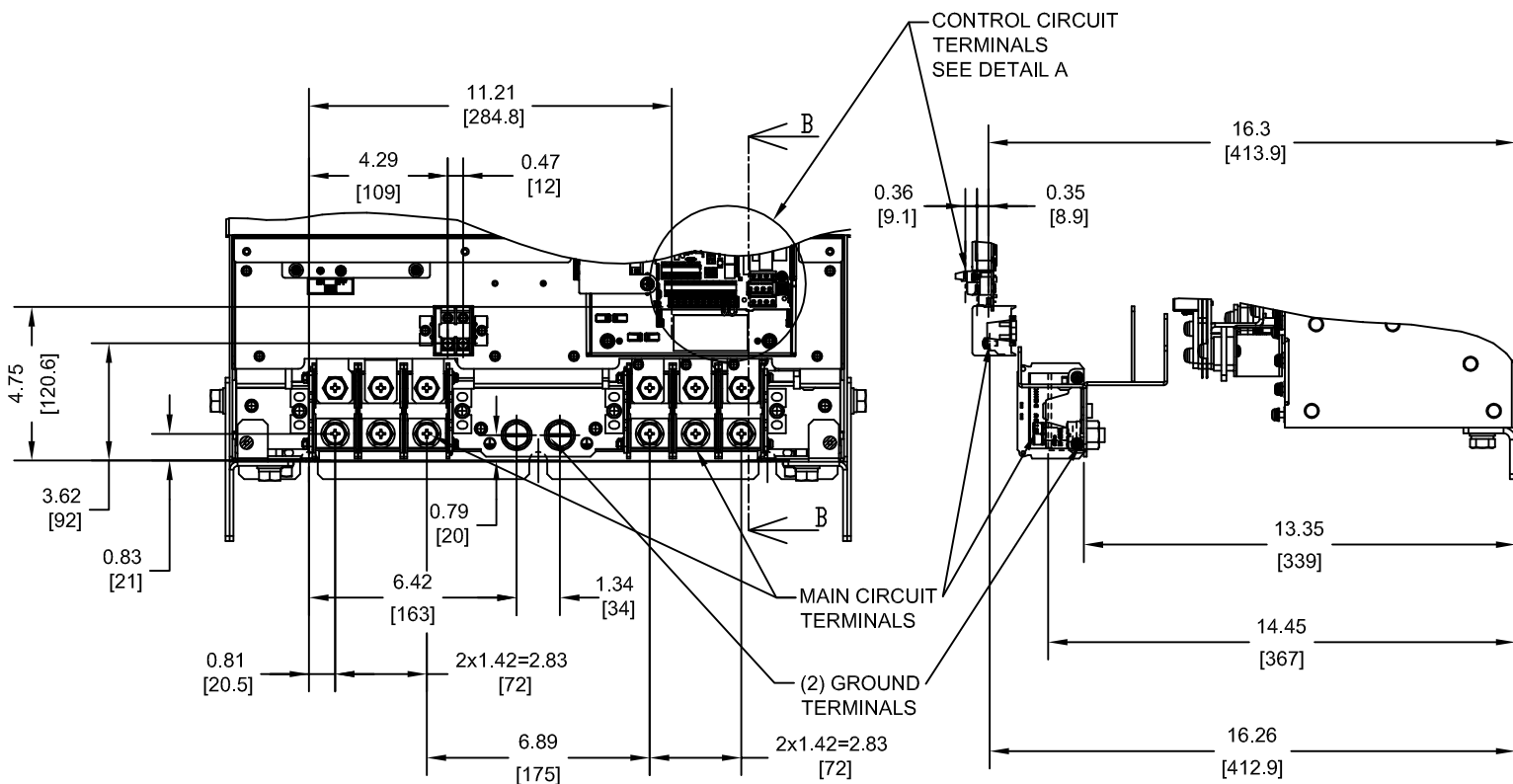
MODEL # CIMR-UW	VOLTAGE 3-PHASE (VAC)	OUTPUT CURRENT (A)	WEIGHT LBS (Kg)	HEAT LOSS (W) (Fc=4kHz)		
				INT	EXT	TOT
2□0248□□□	200/240	248	387 (176)	578	3785	4363
4□0216□□□	380/500	216	387 (176)	587	3720	4307
4□0240□□□		240	387 (176)	600	3897	4497

NOTES:
 □ DENOTES A-Z
 □□ DENOTES AAA-ZZZ
 INT=INTERNAL COMPONENTS
 EXT=EXTERNAL HEATSINK
 TOT=TOTAL

FOR ADDITIONAL DETAILS AND SPECIFICATIONS, CONSULT MANUAL

TOLERANCES / REFERENCES:		YASKAWA	DRAWN: J. MATTAS	DATE 9-22-16	TITLE: U1000 iQpump DIMENSION DRAWING		
THIS DOCUMENT AND INFORMATION CONTAINED IN IT ARE CONFIDENTIAL, AND CANNOT BE COPIED OR DISCLOSED IN WHOLE OR IN PART WITHOUT THE EXPRESS WRITTEN CONSENT OF YASKAWA AMERICA, INC.			CHECKED: J. PIOTROWSKI	DATE 9-29-16	FRAME SIZE 4.5		
			TECH: J. BORJA	DATE 10-3-16	IP00 ENCLOSURE		
UNITS: IN[mm]	SCALE: 1:15	APPROVED: J. CAIRO	DATE 10-20-16	SIZE A	REVISION R00	PAGE 1 of 3	
		ORIGINAL DESIGN: -	DATE -	DRAWING #: DD.UW1K.FR4.5.IP00			

TERMINAL AND WIRING DETAILS (SCALE 1:6)



TERMINAL AND WIRE SPECIFICATIONS FOR MAIN CIRCUIT AND GROUND

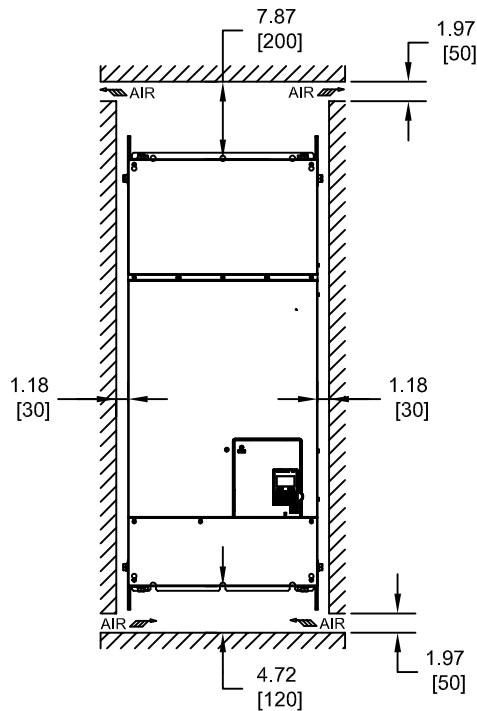
MODEL # CIMR-UW	TERMINAL SYMBOL	TERMINAL SCREW	CLAMPING TORQUE lb.in.(N.m.)	WIRE RANGE AWG(mm ²)
2□0248 4□0216 4□0240	R/L1, S/L2, T/L3	M10	133 TO 177 (15 TO 20)	10 TO 4/0 (6 TO 95)
	U/T1, V/T2, W/T3			
	p1, n1	M4	10.6 TO 17.7 (1.2 TO 2.0)	14 TO 12 (2.5 TO 4)
	⊕	M12	278 TO 347 (31.4 TO 39.2)	4 TO 4/0 (25 TO 95)

NOTE: REFER TO APPLICABLE CODES FOR PROPER WIRE TYPE AND SIZE

TOLERANCES / REFERENCES:		YASKAWA	DRAWN: J. MATTAS	DATE 9-22-16	TITLE: U1000 iQpump DIMENSION DRAWING		
			CHECKED: J. PIOTROWSKI	DATE 9-29-16	FRAME SIZE 4.5		
		TECH: J. BORJA		DATE 10-3-16	IP00 ENCLOSURE		
		APPROVED: J. CAIRO		DATE 10-20-16	SIZE A	REVISION R00	PAGE 2 of 3
UNITS: IN[mm]	SCALE: BY VIEW	ORIGINAL DESIGN: -		DATE -	DRAWING #: DD.UW1K.FR4.5.IP00		

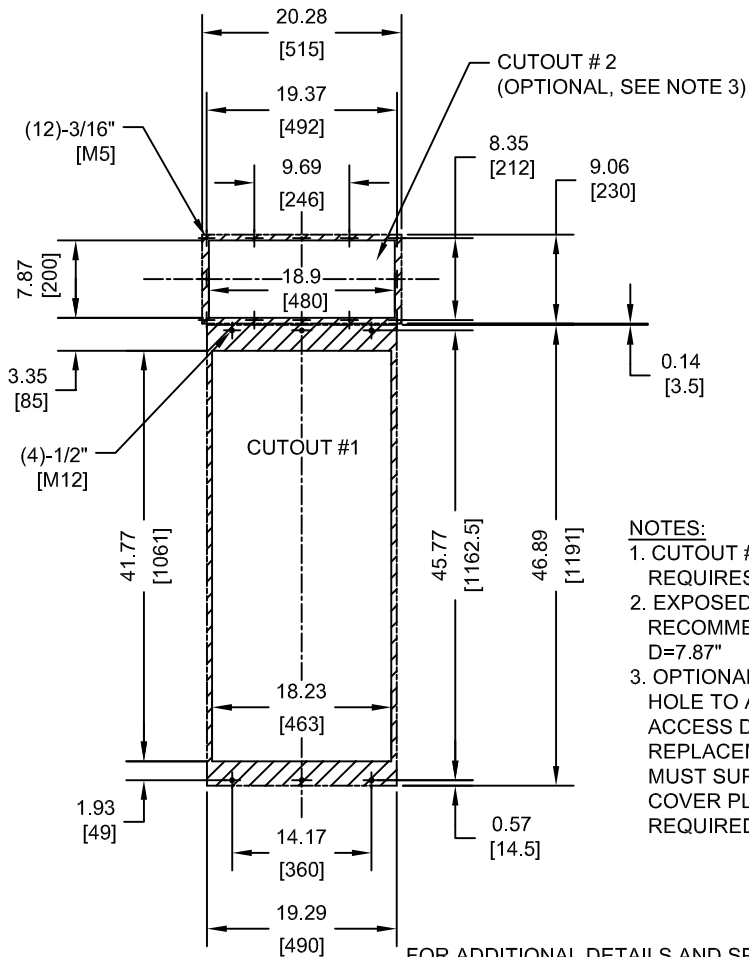
THIS DOCUMENT AND INFORMATION CONTAINED IN IT ARE CONFIDENTIAL, AND CANNOT BE COPIED OR DISCLOSED IN WHOLE OR IN PART WITHOUT THE EXPRESS WRITTEN CONSENT OF YASKAWA AMERICA, INC.

MINIMUM INSTALLATION CLEARANCES (SCALE 1:20)



NOTE:
FOR SIDE-BY-SIDE MOUNTING
CONSULT MANUAL

PANEL CUTOUT FOR EXTERNAL HEATSINK
MOUNTING CONFIGURATION (SCALE 1:20)



- NOTES:
- CUTOUT #1: EXTERNAL HEATSINK, REQUIRES MOUNTING KIT
 - EXPOSED HEATSINK RECOMMENDED CLEARANCE D=7.87"
 - OPTIONAL CUTOUT #2 IS AN ACCESS HOLE TO ALLOW FOR FRONT ACCESS DURING HEATSINK COOLING FAN REPLACEMENT. THE PANEL BUILDER MUST SUPPLY THE APPROPRIATE COVER PLATE AND HARDWARE REQUIRED TO CLOSE THIS OPENING.

FOR ADDITIONAL DETAILS AND SPECIFICATIONS, CONSULT MANUAL

TOLERANCES / REFERENCES:		YASKAWA	DRAWN: J. MATTAS	DATE 9-22-16	TITLE U1000 iQpump DIMENSION DRAWING	
			CHECKED: J. PIOTROWSKI	DATE 9-29-16	FRAME SIZE 4.5	
		TECH: J. BORJA		DATE 10-3-16	IP00 ENCLOSURE	
		APPROVED: J. CAIRO		DATE 10-20-16	SIZE A	REVISION R00
UNITS: IN[mm]	SCALE: BY VIEW	ORIGINAL DESIGN: -		DATE -	PAGE 3 of 3	
					DRAWING #: DD.UW1K.FR4.5.IP00	